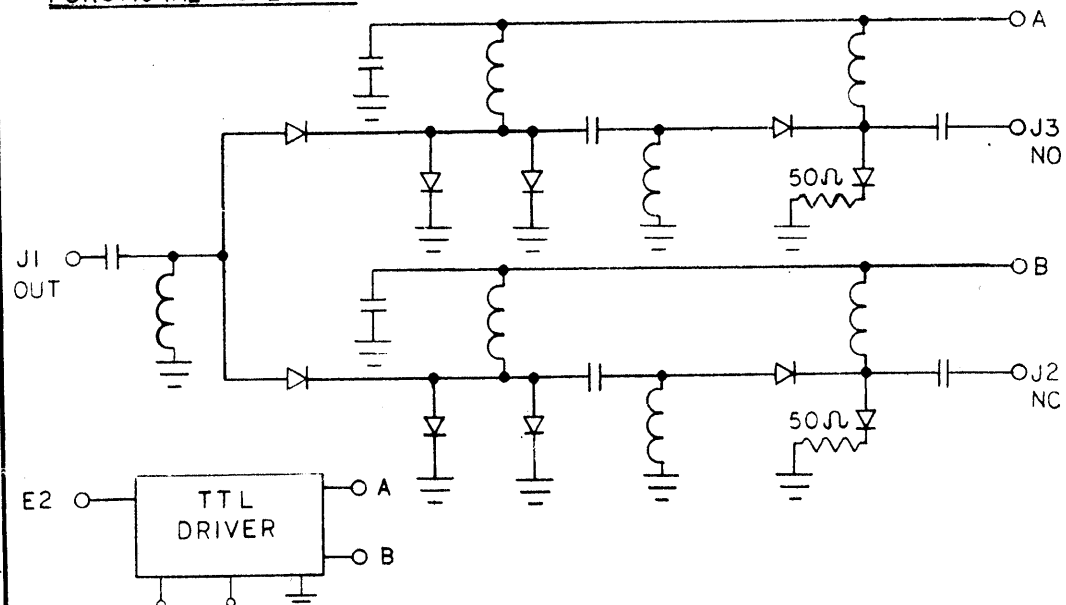


REVISIONS			
REV.	DESCRIPTION	DATE	APPROVED
A	INITIAL ISSUE	5-31-88	S. Rumney

FUNCTIONAL SCHEMATIC



LOGIC TABLE

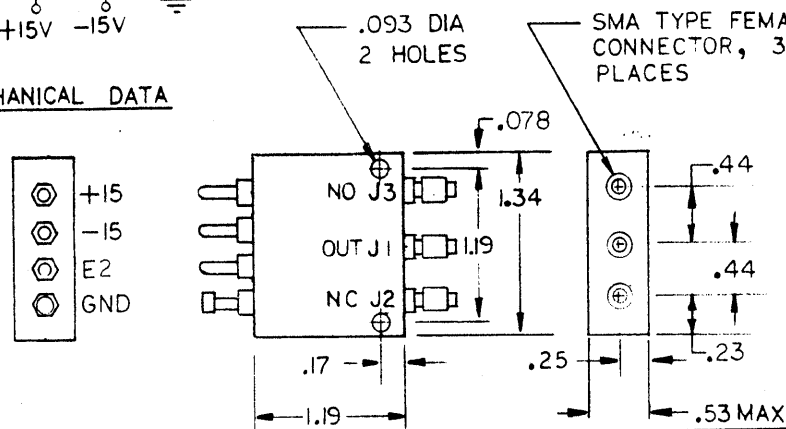
E2	J3	J2
OPEN	OFF	ON
GND	ON	OFF

SPECIFICATIONS

MODEL NO.	CHARACTERISTICS	FREQUENCY (GHZ)			MAX RF POWER (DB)
		.01-2	2-8	8-18	
SW 2000 2ATR	MIN ISOLATION (DB) MAX INS LOSS (DB) MAX VSWR (ON) MAX VSWR (OFF)	60 1.7 1.5 1.5	X X X X	X X X X	+20
SW-2080-2ATR	MIN ISOLATION (DB) MAX INS LOSS (DB) MAX VSWR (ON) MAX VSWR (OFF)	X X X X	60 2.2 1.5 1.5	X X X X	+25
SW-2181-2ATR	MIN ISOLATION (DB) MAX INS LOSS (DB) MAX VSWR (ON) MAX VSWR (OFF)	60 2.5 1.5 1.5	60 3.3 1.7 1.7	55 3.5 2.0 1.9	+20

RISE (10% — 90% RF) 50NS, MAX
FALL (90% — 10% RF) 50NS, MAX

MECHANICAL DATA



- +15
- 15
- E2
- GND

QTY REQD	FSCM NO.	PART OR IDENTIFYING NO.	NOMENCLATURE OR DESCRIPTION	MATERIAL SPECIFICATION
PARTS LIST				
UNLESS OTHERWISE SPECIFIED DIMENSIONS ARE IN INCHES TOLERANCES ARE: FRACTIONS DECIMALS ANGLES		CONTRACT NO.		
± .02 ± .005 ±		AMERICAN MICROWAVE CORPORATION FREDERICK, MARYLAND		
MATERIAL		APPROVALS	DATE	RELAY REPLACEMENT SWITCH OUTLINE / SPECIFICATIONS
FRESH		DRAWN M-MEHRBAKHS	5-31-88	SIZE B FSCM NO. 60483 DWG. NO. 200-1660 REV. A
NEXT ASSY USED ON		CHECKED S RUMNEY	6-2-88	SCALE SHEET
APPLICATION		DO NOT SCALE DRAWING		